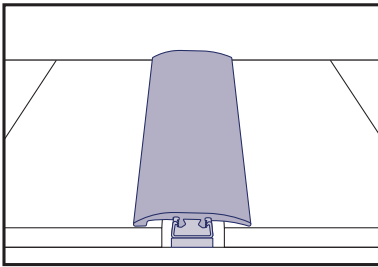


MOLDING PROFILES

PROCORE™ moldings are designed to coordinate effortlessly with your PROCORE and PROCORE Plus floors. Each piece is 94" long and features a waterproof PVC core wrapped in high-wear resistant aluminum oxide laminate.

3-N-1 TRIM

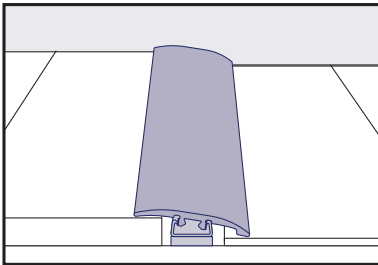
Functions as a **T-Molding** (for going to a similar height), **Reducer** (for going to a lower height), and **End Cap** (for transitioning to carpet).



3-N-1 as a T-Molding: Commonly used in doorways to join two adjacent floors that are approximately the same height.

Installation: Measure and cut 3-N-1 Molding, track, and shim to same desired length. Secure track & shim to floor with screws. Gently tap 3-N-1 Molding into track using rubber mallet.

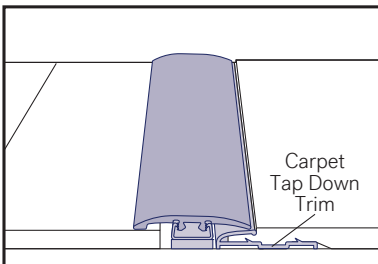
Go to [installationadvice.com](https://www.installationadvice.com) for more detailed instructions and video.



3-N-1 as a Reducer: Used to transition from a hard surface floor (PROCORE) to a floor with a lower height such as ceramic tile or vinyl.

Installation: Measure and cut 3-N-1 Molding, track, and shim to same desired length. Secure track & shim to floor with screws. Gently tap 3-N-1 Molding into track using rubber mallet.

Go to [installationadvice.com](https://www.installationadvice.com) for more detailed instructions and video.



3-N-1 as an End Cap: Used for transitioning from a hard surface floor (PROCORE) to carpet.

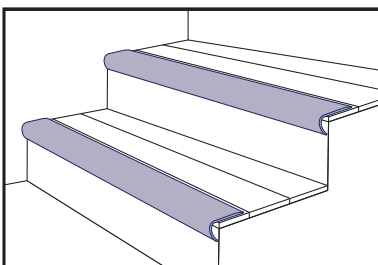
Installation: Measure and cut 3-N-1 Molding, track and shim to same desired length. Secure track and shim to floor with screws. Gently tap 3-N-1 Molding into track using rubber mallet.

A carpet tap down trim must be used when installing 3-N-1 on carpet.

Go to [installationadvice.com](https://www.installationadvice.com) for more detailed instructions and video.

STAIR NOSE

Combines style and function to enhance the beauty of a staircase of step.

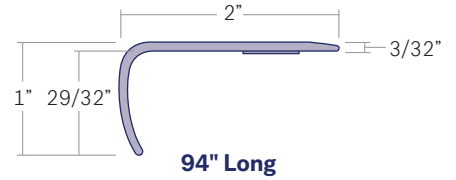
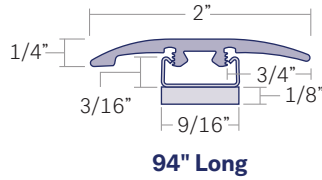


Installation: Measure and cut to fit. Use a sanding sponge to prepare floor and Stair Nose for adhesive. Remove backing paper from tape and affix Stair Nose using adhesive, being sure to follow adhesive manufacturer's instructions completely.

Go to [installationadvice.com](https://www.installationadvice.com) for more detailed instructions and video.

COORDINATING MOLDINGS

Use the chart below to find the coordinating molding for your PROCORE™ and PROCORE Plus floors.



| Color | Product # | 3-N-1 TRIM | | STAIR NOSE | |
|-------------------|-----------|------------|--------------|------------|----------|
| | | SOE/SOS # | Model # | SOE/SOS # | Model # |
| Appalachian Pine | 112370 | 1857762 | LPCWD84593N1 | NA | NA |
| Charleston Oak | 112372 | 1857760 | LPCWD69093N1 | NA | NA |
| Forged Oak | 111972 | 1356816 | LPCWD50103N1 | NA | NA |
| Heirloom Oak | 108963 | 1408766 | LPC3N111 | 1408767 | LPCSN111 |
| Jamestown Hickory | 112371 | 1857761 | LPCWD80533N1 | NA | NA |
| Legacy Oak | 108964 | 1408764 | LPC3N110 | 1408765 | LPCSN110 |
| Tudor Oak | 111973 | 1356817 | LPCWD53853N1 | NA | NA |
| Warm Honey Oak | 111974 | 1356818 | LPCWD80993N1 | NA | NA |

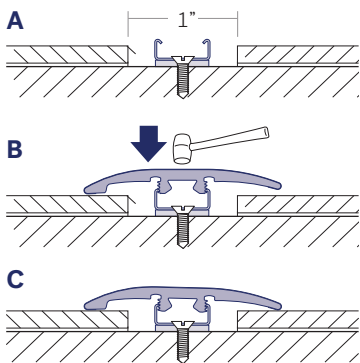
INSTALLATION INSTRUCTIONS

See below for basic molding installation. For more detailed instructions and video, go to installationadvice.com.

3-N-1 TRIM

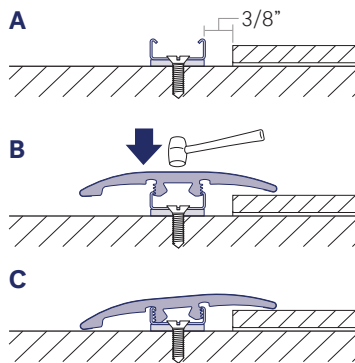
3-N-1 as a T-Molding

For Going to a Similar Height



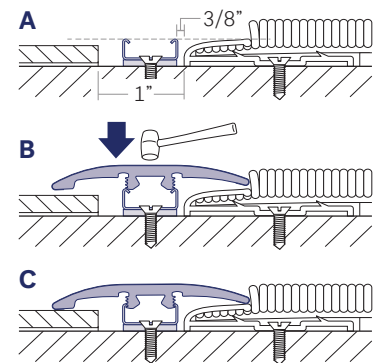
3-N-1 as a Reducer

For Going to a Lower Height



3-N-1 as an End Cap

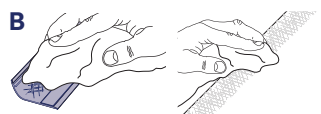
For Transitioning to Carpet



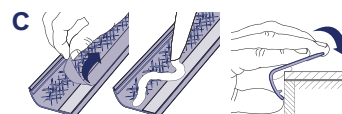
STAIR NOSE



Sponge: 60-100 Grit



Solvent: Isopropyl Alcohol



Adhesive: PUR Construction



24